

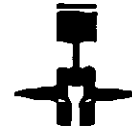
***PARTNER***

**TRIMMY**

**S11/S**



14



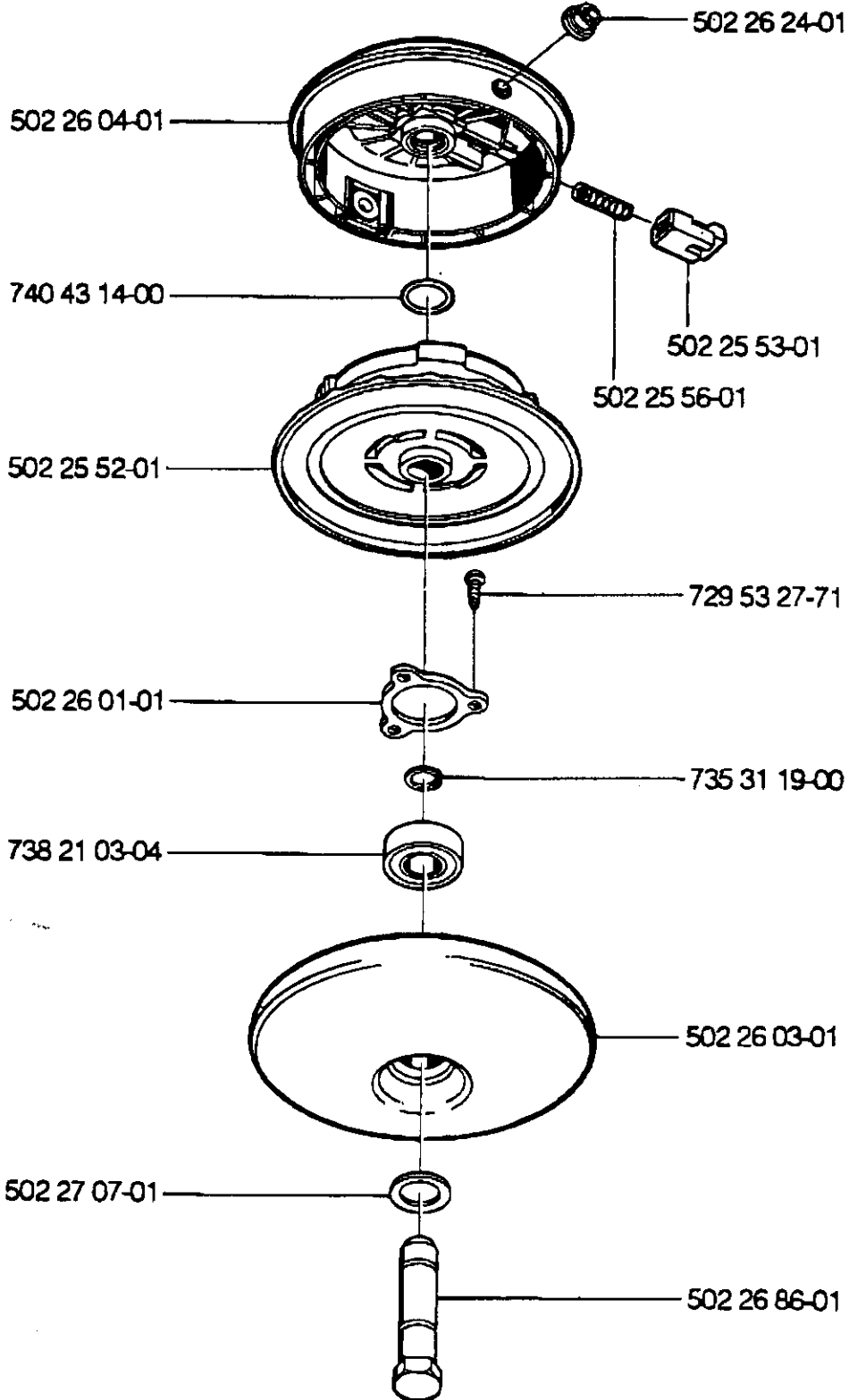
1994:1

Trimmy S11

SPAREPARTS

107 26 45 -61

Trimmy S11, compl. 502 26 08-02



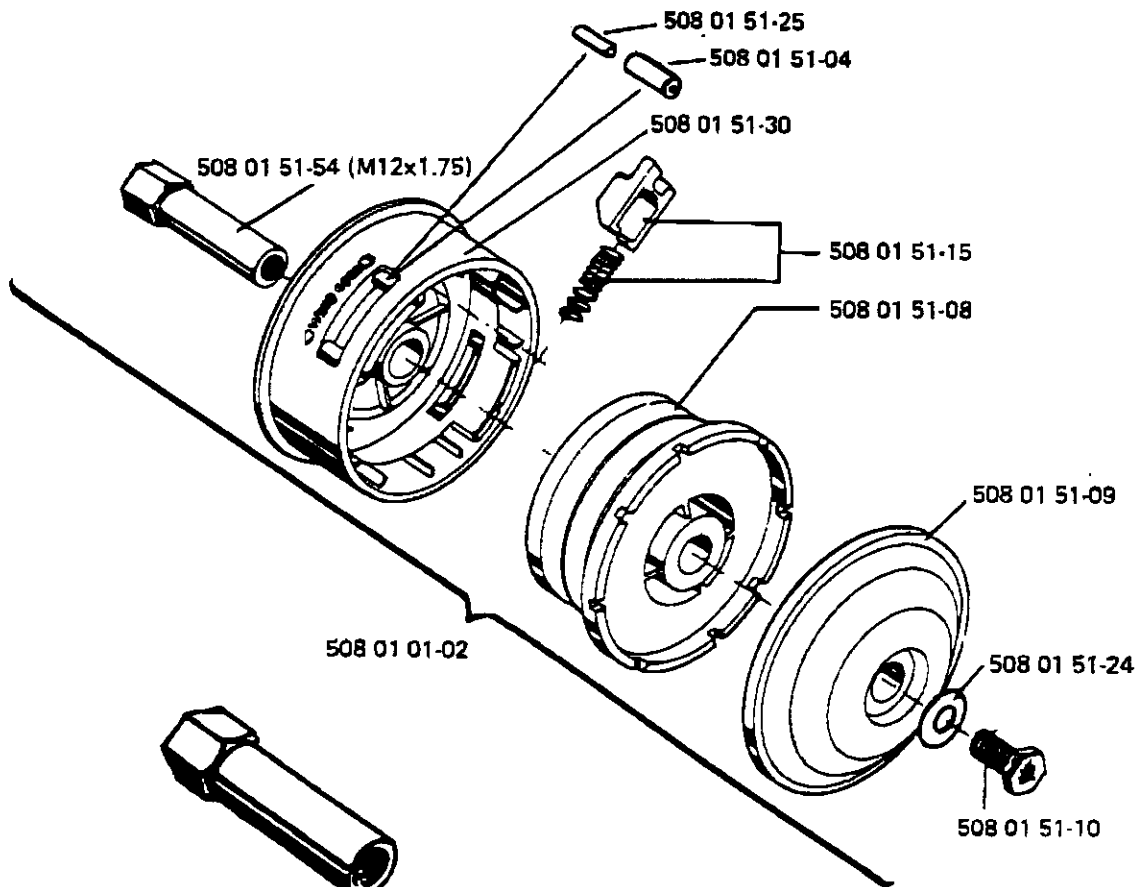
**SERVICEMEDDELANDE**  
**SERVICE BULLETIN**  
**KUNDENDIENST-INFORMATION**  
**BULLETIN DE SERVICE**  
**BOLETIN DE SERVICIO**

**PARTNER**

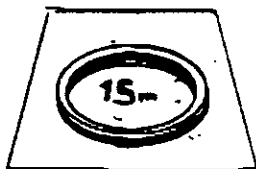
**S**

Index I

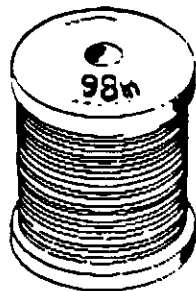
# TRIMMY S



502 09 25-01 (M10x1.25) (B 400)



508 01 51-34



508 01 51-49